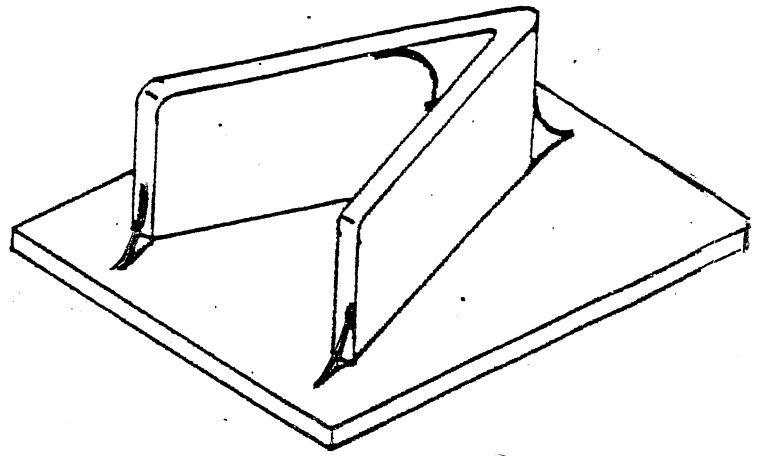
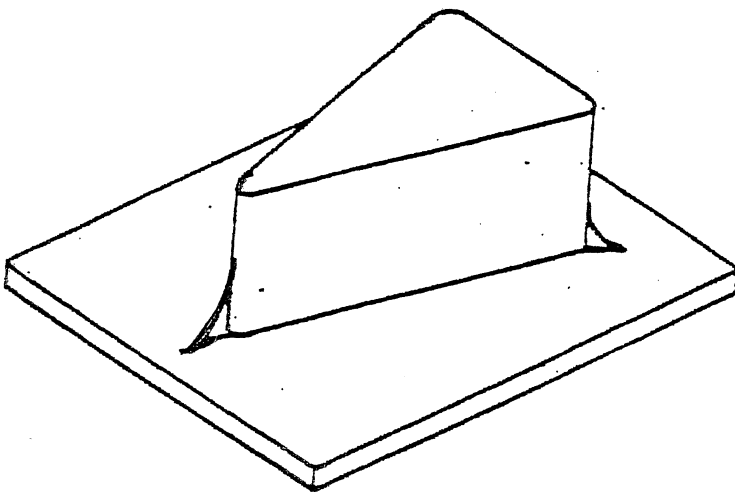


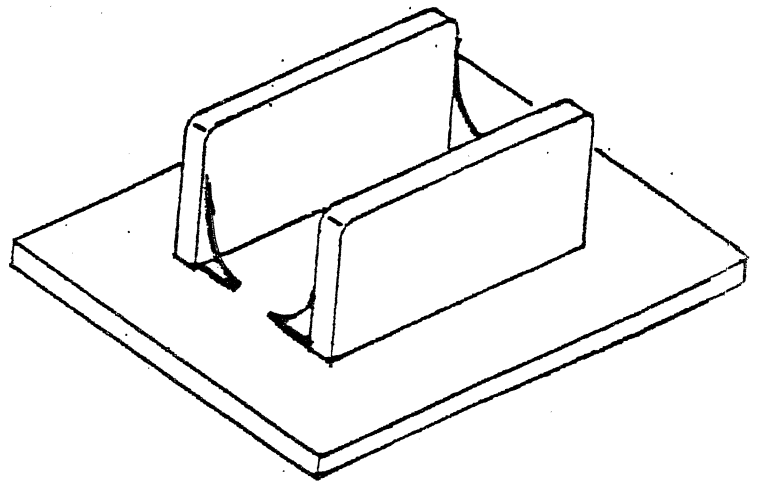
Adjacent peaks



Inside corner
Less than 90°



Outside Corner
Less than 90°

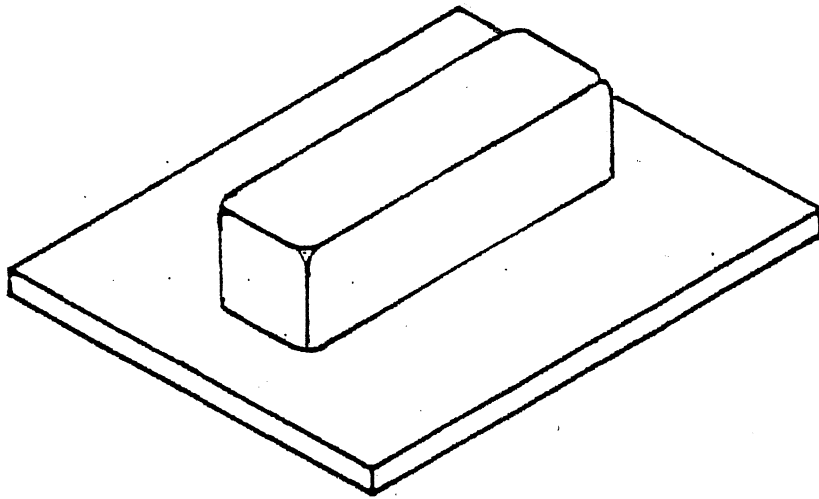


Inproper height to width
with Adjacent Peaks

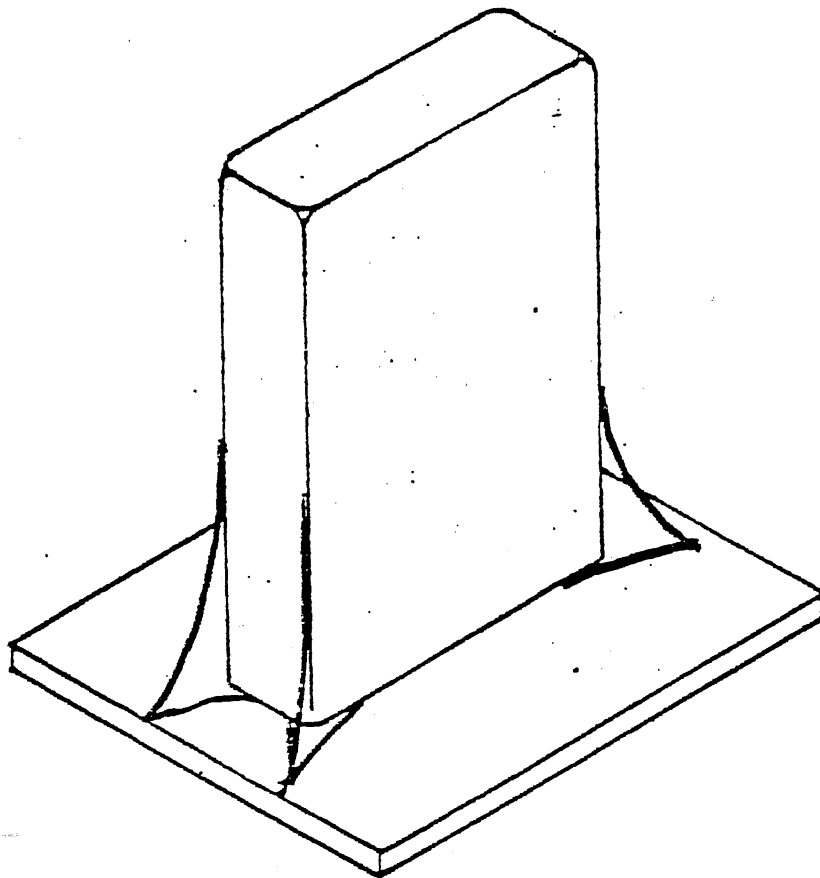


DAVID CALL
Products

Male Mold Webbing



*Good height to width ratio
Ratio 1:1*



*Inproper height to width Ratio
USE PREDRAW*